

## URB1000 LC Series



### **URB1000 LC Series**

The OptoElectronix<sup>™</sup> URB1000 LC consists of an LED light source with optics and thermal management system. The URB1000 LC has a working range of 11.5 volts to 17.0 volts either AC or DC.

### **Features**

- No filaments, vibration proof
- Sealed construction
- Water-resistant
- Focused directional beam
- Easy installation

### **Key Applications**

This LED Module is primarily designed for use in non-automotive vehicle lighting. It can be used in lawn mowers, snow-blowers, floor sweepers etc. It is optimized to deliver light directly to the working area. The beam is focused for good illumination, coverage and minimal losses. The URB1000 LC is directly mountable to standard push-in and twist light bulb fittings.

### **Thermal Management**

The URB1000 LC has an integrated heat-sink which dissipates heat away from the LED preventing output degradation.

### Certifications and Completed Tests

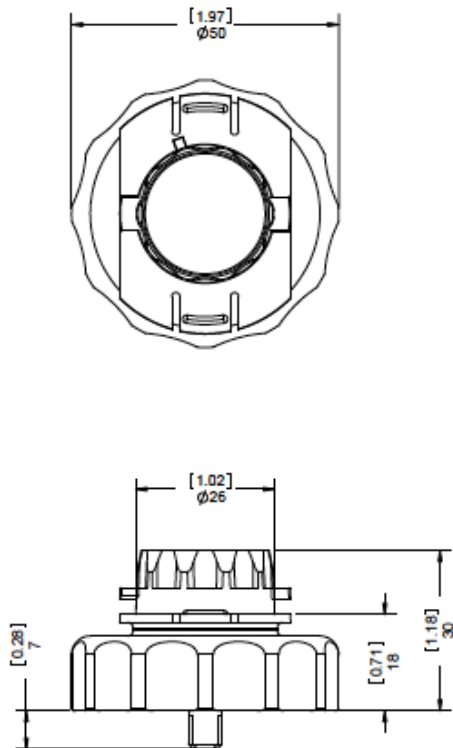
RoHS: Compliant

Ingress Protection Rating: IP65 – dust tight and protected against water jets.

### Mechanicals

[inches]

mm



**Product Specifications**

<b>URB11WF1 01-LC</b>	<b>Unit</b>	<b>Typical</b>
Input Voltage (DC)	volts	12.0
Total Power	watts	2.0
Luminous Flux	lumens	100
Color Temperature	°K	6000
CRI		80
Beam Angle	degrees	35

<b>Typical Environmental Specifications</b>	
<b>Operating Temperature</b>	-20°C to 50°C
<b>Thermal Management</b>	Integrated Heat-Sink
<b>Lumens Maintenance at L70</b>	>50,000 hours