

## ULE21VW Series



### ULE21VW Series

The OptoElectronix<sup>™</sup> ULE21VW module is a complete LED lighting solution that integrates an LED light source, lens, driver, and thermal management in a compact, easy-to-use single package. This high-output recessed lamp connects directly to a 12V AC or DC power source. It is available in warm, neutral, or cool white.

### Features

- Sealed Construction
- UL & NSF Approved
- Water-resistant
- Wide Beam Angle
- No filaments, vibration proof

### Key Applications

The ULE21VW light engine, with a 120-degree beam angle, has proven to be a highly versatile light source suitable for use in commercial-grade refrigerators and freezers, range hoods, retail display lighting, vending machines, dome lights, vanity lights, emergency exit lights, vent fans and low-wattage MR16 replacements.

### Thermal Management

The ULE21VW includes a unique housing that efficiently removes heat from the LED. Mounting the light engine to metal according to specifications completes the thermal network. The result is a highly reliable, long-life LED lighting solution that fits a variety of end applications.

### Certifications and Completed Tests

**Underwriters Laboratories:** UL Component Recognition program for the U.S. and Canada under UL File No. E323412.

**RoHS:** Compliant

**NSF International:** NSF/ANSI 2 compliant – safe to use in fabricated food equipment (refrigerators, range hoods, etc.) under NSF certificate C0031880-01

**Ingress Protection Rating:** IP66 – dust tight and protected against powerful water jets.

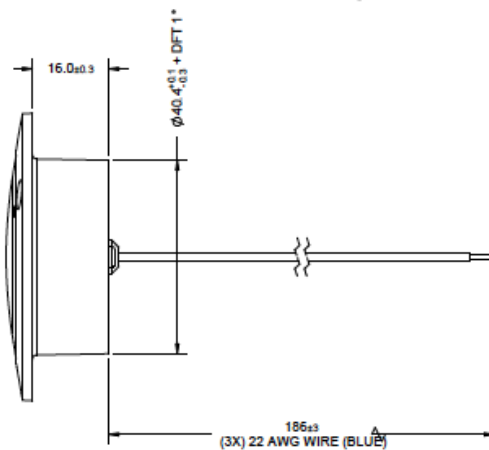
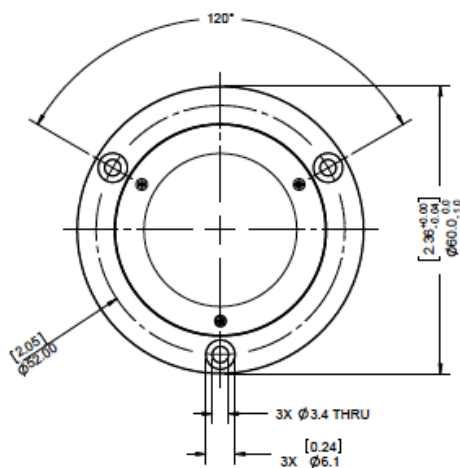
**IESNA LM80-08:** LEDs used comply with LM80-08 standards ensuring life-span.

### Mechanicals

[inches]

mm

input wires are non-polarized



**Product Specifications**
**Warm White Models**

<b>ULE21VW0C-F-25W</b>	<b>Unit</b>	<b>Typical</b>
Input Voltage	volts	12
Total Power	watts	2.2
Luminous Flux	lumens	120
Color Temperature	°K	3000
CRI		85
Beam Angle	degrees	120

<b>ULE21VW0C-F-38W</b>	<b>Unit</b>	<b>Typical</b>
Input Voltage	volts	12
Total Power	watts	4.3
Luminous Flux	lumens	240
Color Temperature	°K	3000
CRI		85
Beam Angle	degrees	120

<b>ULE21VW0C-F-45W</b>	<b>Unit</b>	<b>Typical</b>
Input Voltage	volts	12
Total Power	watts	6.5
Luminous Flux	lumens	360
Color Temperature	°K	3000
CRI		85
Beam Angle	degrees	120

<b>ULE21VW0C-F-45W HO K30C80L450</b>	<b>Unit</b>	<b>Typical</b>
Input Voltage	volts	12
Total Power	watts	6.5
Luminous Flux	lumens	450
Color Temperature	°K	3000
CRI		85
Beam Angle	degrees	120

**Neutral White Models**

<b>ULE21VW1C-F-25W K40C80L120</b>	<b>Units</b>	<b>Typical</b>
Input Voltage	volts	12
Total Power	watts	2.2
Luminous Flux	lumens	120
Color Temperature	°K	4000
CRI		85
Beam Angle	degrees	120

<b>ULE21VW1C-F-38W K40C80L240</b>	<b>Units</b>	<b>Typical</b>
Input Voltage	volts	12
Total Power	watts	4.3
Luminous Flux	lumens	240
Color Temperature	°K	4000
CRI		85
Beam Angle	degrees	120

<b>ULE21VW1C-F-45W K40C80L360</b>	<b>Units</b>	<b>Typical</b>
Input Voltage	volts	12
Total Power	watts	6.5
Luminous Flux	lumens	360
Color Temperature	°K	4000
CRI		85
Beam Angle	degrees	120

<b>ULE21VW1C-F-45W HO K40C60L500</b>	<b>Unit</b>	<b>Typical</b>
Input Voltage	volts	12
Total Power	watts	6.5
Luminous Flux	lumens	500
Color Temperature	°K	4000
CRI		65
Beam Angle	degrees	120

**Cool White Models**

<b>ULE21VW1C-F-25W</b>	<b>Unit</b>	<b>Typical</b>
Input Voltage	volts	12
Total Power	watts	2.2
Luminous Flux	lumens	130
Color Temperature	°K	6500
CRI		85
Beam Angle	degrees	120

<b>ULE21VW1C-F-38W</b>	<b>Unit</b>	<b>Typical</b>
Input Voltage	volts	12
Total Power	watts	4.3
Luminous Flux	lumens	260
Color Temperature	°K	6500
CRI		85
Beam Angle	degrees	120

<b>ULE21VW1C-F-45W</b>	<b>Unit</b>	<b>Typical</b>
Input Voltage	volts	12
Total Power	watts	6.5
Luminous Flux	lumens	390
Color Temperature	°K	6500
CRI		85
Beam Angle	degrees	120

<b>ULE21VW1C-F-45W HO K65C60L500</b>	<b>Unit</b>	<b>Typical</b>
Input Voltage	volts	12
Total Power	watts	6.5
Luminous Flux	lumens	500
Color Temperature	°K	6500
CRI		65
Beam Angle	degrees	120

<b>Typical Environmental Specifications</b>	
<b>Operating Temperature</b>	-20°C to 50°C
<b>Thermal Management</b>	Extended Heat-sink required
<b>Lumens Maintenance at L70*</b>	>50,000 hours

\*Warranty for 35,000 hours or 5 years, whichever comes first.