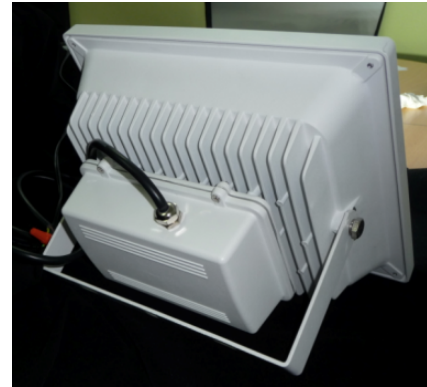


## ULF11000 Series



### ULF11000 Series

The OptoElectronix<sup>™</sup> ULF11000 Series consists of a set of highly reliable LEDs with optics and thermal management together with a power module. It comes in two sizes and light output levels. Input power supply to the ULF11000s can range from 100VAC to 277VAC 50/60Hz. Integrated electronics ensures constant current through the LEDs to ensure reliability and consistent light quality. The optical performance of the ULF11000 is optimized to deliver light directly to the working surface. It is available in warm, neutral or cool white.

### Features

- Sealed Construction
- Water-resistant
- Wide Beam Angle
- No filaments, vibration proof

### Key Applications

ULF11000 was designed specifically to replace conventional lighting in a wide variety of applications such as flood lighting, factory lighting, and warehouse and sign board illumination. It can also be used in outdoor applications, for example parking bay lights, when mounted on a pole or garden light mountings.

### Thermal Management

The ULF11000 has a built-in heat sink for reliable operation. It is designed using thermal profiling and simulation so that the LEDs are operated significantly below the maximum specification limits, hence ensuring a prolonged life-span.

### Options

The ULF11000 is available in flood (WE) and wide flood (WF) models. The flood beam angle is no greater than 65 degrees and wide flood beam angle is up to 100 degrees. Product specs below are for WF. The specifications are the same for the two models except where beam angle is noted. The enclosure is available in White and Black. (White is standard. Ordering code for Black- add BLK to end of product number.)

**Certifications and Completed Tests**

**RoHS:** Compliant

**Ingress Protection Rating:** IP66 – dust tight and protected against powerful water jets.

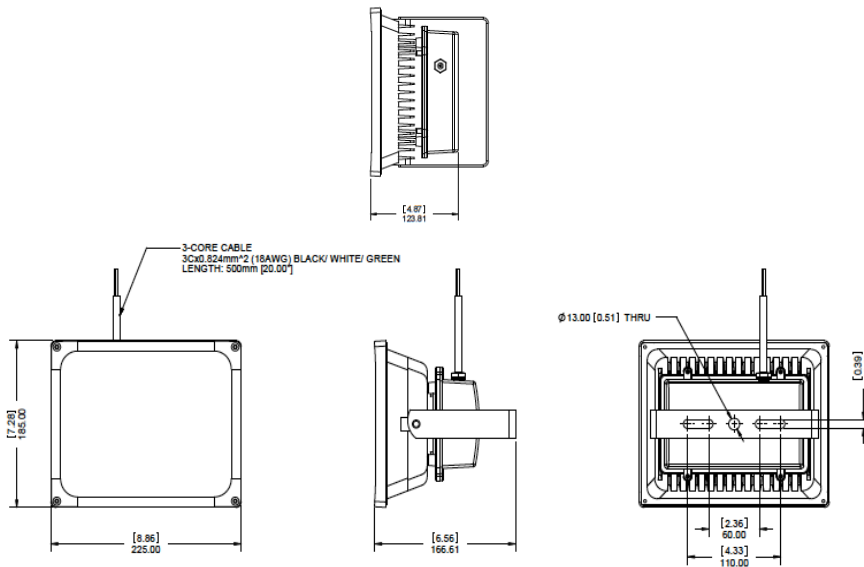
**IESNA LM80-08:** LEDs used comply with LM80-08 standards ensuring life-span.

**Design Light Consortium Certified-** 4000 lumen WF model

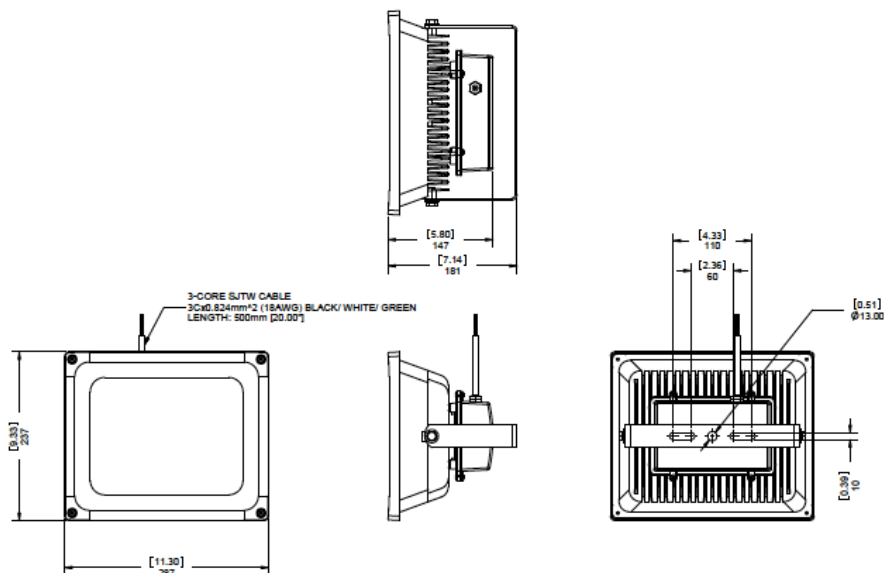
**Mechanicals**

mm [inches]

**ULF119WF1- lower output models**



**ULF119WF1- high output models**



**Product Specifications**

*Warm White Models*

<b>ULF119WF0 K30C80L1500</b>	<b>Unit</b>	<b>Min</b>	<b>Typ</b>	<b>Max</b>
<b>Input Voltage (AC 50/60Hz)</b>	volts	100	120	277
<b>Total Power</b>	watts	27		
<b>Power Factor</b>		0.9		
<b>Luminous Flux</b>	lumens	1500		
<b>Color Temperature</b>	°K	3000		
<b>Color Rendering Index (CRI)</b>		80		
<b>Beam Angle</b>	degrees	90		

<b>ULF119WF0 K25C80L1500</b>	<b>Unit</b>	<b>Min</b>	<b>Typ</b>	<b>Max</b>
<b>Input Voltage (AC 50/60Hz)</b>	volts	100	120	277
<b>Total Power</b>	watts	27		
<b>Power Factor</b>		0.9		
<b>Luminous Flux</b>	lumens	1500		
<b>Color Temperature</b>	°K	2500		
<b>Color Rendering Index (CRI)</b>		80		
<b>Beam Angle</b>	degrees	90		

<b>ULF119WF0 K30C80L3000</b>	<b>Unit</b>	<b>Min</b>	<b>Typ</b>	<b>Max</b>
<b>Input Voltage (AC 50/60Hz)</b>	volts	100	120	277
<b>Total Power</b>	watts	50		
<b>Power Factor</b>		0.9		
<b>Luminous Flux</b>	lumens	3000		
<b>Color Temperature</b>	°K	3000		
<b>Color Rendering Index (CRI)</b>		80		
<b>Beam Angle</b>	degrees	90		

*Neutral White Models*

<b>ULF119WF1 K40C70L2000</b>	<b>Unit</b>	<b>Min</b>	<b>Typ</b>	<b>Max</b>
<b>Input Voltage (AC 50/60Hz)</b>	volts	100	120	277
<b>Total Power</b>	watts	27		
<b>Power Factor</b>		0.9		
<b>Luminous Flux</b>	lumens	2000		
<b>Color Temperature</b>	°K	4000		
<b>Color Rendering Index (CRI)</b>		70		
<b>Beam Angle</b>	degrees	90		

<b>ULF119WF0 K40C80L1500</b>	<b>Unit</b>	<b>Min</b>	<b>Typ</b>	<b>Max</b>
<b>Input Voltage (AC 50/60Hz)</b>	volts	100	120	277
<b>Total Power</b>	watts		50	
<b>Power Factor</b>			0.9	
<b>Luminous Flux</b>	lumens		4000	
<b>Color Temperature</b>	°K		4000	
<b>Color Rendering Index (CRI)</b>			70	
<b>Beam Angle</b>	degrees		90	

*Cool White Models*

<b>ULF119WF1 K50C70L2000</b>	<b>Unit</b>	<b>Min</b>	<b>Typ</b>	<b>Max</b>
<b>Input Voltage (AC 50/60Hz)</b>	volts	100	120	277
<b>Total Power</b>	watts		27	
<b>Power Factor</b>			0.9	
<b>Luminous Flux</b>	lumens		2000	
<b>Color Temperature</b>	°K		5000	
<b>Color Rendering Index (CRI)</b>			80	
<b>Beam Angle</b>	degrees		90	

<b>ULF119WF1 K50C70L4000</b>	<b>Unit</b>	<b>Min</b>	<b>Typ</b>	<b>Max</b>
<b>Input Voltage (AC 50/60Hz)</b>	volts	100	120	277
<b>Total Power</b>	watts		50	
<b>Power Factor</b>			0.9	
<b>Luminous Flux</b>	lumens		4000	
<b>Color Temperature</b>	°K		5000	
<b>Color Rendering Index (CRI)</b>			80	
<b>Beam Angle</b>	degrees		90	

<b>Typical Environmental Specifications</b>	
<b>Operating Temperature</b>	-20°C to 50°C
<b>Thermal Management</b>	Self Cooled, no additional heat sinking required
<b>Lumens Maintenance at L70*</b>	>50,000 hours

\*Warranty for 35,000 hours or 5 years, whichever comes first.