

ULE68000 SP Series



ULE68000 SP Series

The ULE68000 SP Series light engine is an upgraded version the popular ULE28000. It now features latest LED models and passes CISPR 15, 10m radiated emission specifications and high operating temperature of 120°C.

It is a complete LED lighting solution that integrates an LED light source, lens, driver, and thermal management in a compact, easy-to-use single package. Available in Warm, Neutral or Cool White.

Key Applications

The ULE68000 SP Series light engine with 110-degree flood pattern is ideal for commercial-grade refrigerators and freezers, retail display lighting, vending machines, dome lights, vanity lights, emergency exit lights and a host of similar applications including areas with high temperature of up to 120°C.

Thermal Management

The ULE68000 SP Series includes a unique housing that efficiently removes heat from the LED. Lens design using high thermal shock resistance borosilicate glass for high temperature operation.

For proper operation, the light engine must be mounted to a metal surface to complete the thermal network. This will ensure a highly, long-life LED lighting solution that fits the end application. If mounted on a non-metallic surface an additional aluminium heat-sink is required.

It is recommended that the supplied pre-cut thermal tape is placed between the flange of the unit and the heat-sink. A heat-sink of aluminium or copper base is best but other metals can be used.

As a general rule-of-thumb one watt would require 5 sq. in. of exposed surface area, hence the 8.0W unit would require about a total surface area of about 40 sq. in.

Regulatory Compliance:

Ingress Protection Rating: IP65 – dust tight and protected against water jets.

IESNA LM80-08: LEDs used comply with LM80-08 standards ensuring lifespan.

CE: Conforms to Regulation (EU) No. 1194/2012 and Directive 2009/125/EC

Radiated Emission: Conforms to CISPR 15, 10m

Product Specifications

Part Number		ULE682VW SP01 K27C80L600
Input Voltage	V DC	22.0 min – 24.0 typ – 26.0 max
Input Voltage	V AC	22.0 min – 24.0 typ – 26.0 max
Total Power	W	8.5
Luminous Flux	lumens	600 (rated at 120 °C)
Luminous Efficacy	lm/W	71
Color Temp.	°K	2700
CRI		80 min
Beam Angle	deg.	110
Housing Finishing		black

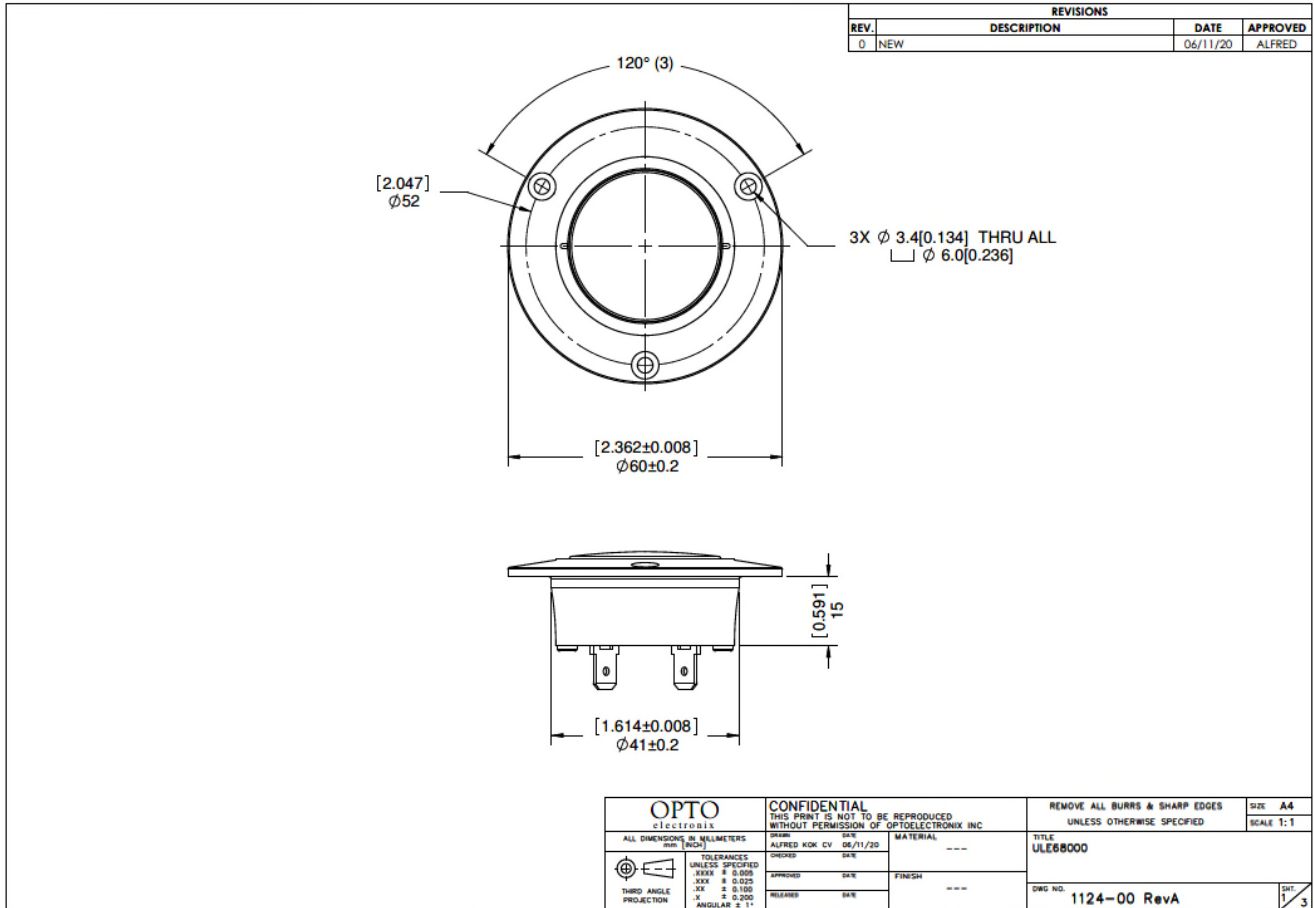
Environmental Specifications	
Operating Temperature	-20°C to +120°C
Thermal Management	External Heat-sink required
Lumens Maintenance at L70	>35,000 hours
Warranty	35,000 hours or 5 years, whichever comes first

Mechanicals

[inches]

mm

Input terminals are non-polarized



Accessories

A pre-cut thermal pad is included with each unit for easy and efficient mounting to heat-sink.

